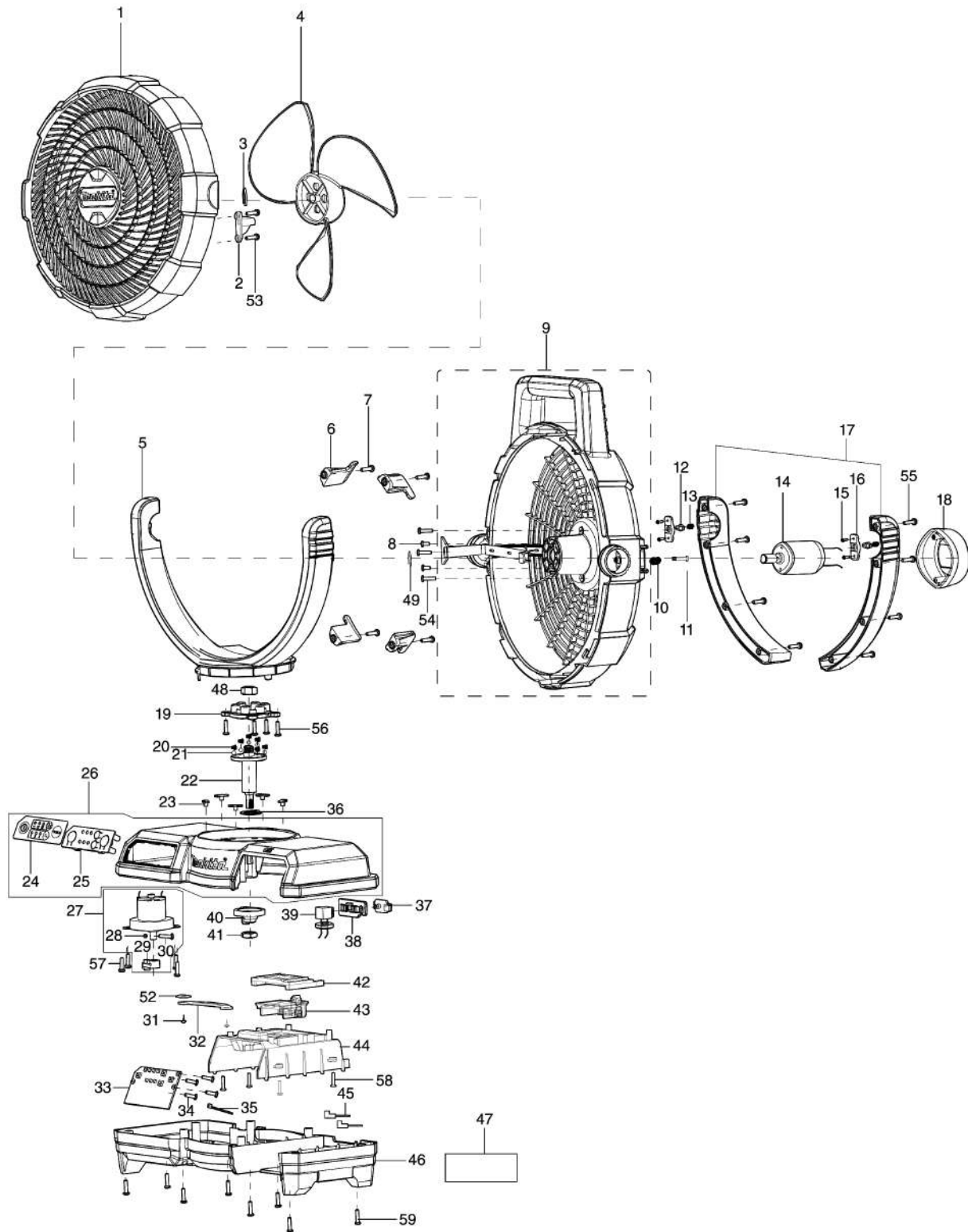


### Model No.DCF203 CORDLESS FAN





## Model No.DCF203 CORDLESS FAN

| Item | Parts No.  | Description                    | I/C | Qty | New/Old | Opt. 1 | Opt. 2 | Note |
|------|------------|--------------------------------|-----|-----|---------|--------|--------|------|
| 001  | TE00000371 | FRONT COVER OF THE BODY        |     | 1   |         |        |        |      |
| 002  | TE00000362 | RELEASE BUTTON                 |     | 1   |         |        |        |      |
| 003  | TE00000373 | CIRCLIP                        |     | 1   |         |        |        |      |
| 004  | TE00000374 | FAN BLADE                      |     | 1   |         |        |        |      |
| 005  | TE00000375 | FRONT COVER OF STAND           |     | 1   |         |        |        |      |
| 006  | TE00000376 | SHELL HOOK                     |     | 4   |         |        |        |      |
| 007  | TE00000028 | TAPPING SCREW 3X14             |     | 4   |         |        |        |      |
| 008  | TE00000030 | P.H.SCREW M3X5                 |     | 2   |         |        |        |      |
| 009  | TE00000363 | BACK COVER OF THE BODY         |     | 1   |         |        |        |      |
| 010  | TE00000378 | SPRING                         |     | 1   |         |        |        |      |
| 011  | TE00000364 | LOCKED SCREW FOR FRONT HOUSING |     | 1   |         |        |        |      |
| 012  | TE00000190 | STOPPER                        |     | 2   |         |        |        |      |
| 013  | TE00000197 | SPRING1                        |     | 2   |         |        |        |      |
| 014  | TE00000380 | MOTOR                          |     | 1   |         |        |        |      |
| 015  | TE00000203 | SELF-TAPPING SCREW 2.5X8       |     | 4   |         |        |        |      |
| 016  | TE00000189 | STOPPER SUPPORT                |     | 2   |         |        |        |      |
| 017  | TE00000381 | BACK COVER OF THE SUPPORT LR   |     | 1   |         |        |        |      |
| 018  | TE00000011 | MOTOR COVER                    |     | 1   |         |        |        |      |
| 019  | TE00000062 | COUPLING                       |     | 1   |         |        |        |      |
| 020  | TE00000064 | COMPRESSION SPRING-5           |     | 6   |         |        |        |      |
| 021  | TE00000063 | STEEL BALL 6                   |     | 6   |         |        |        |      |
| 022  | TE00000382 | PRINCIPAL AXIS                 |     | 1   |         |        |        |      |
| 023  | TE00000089 | POM PLATE                      |     | 5   |         |        |        |      |
| 024  | TE00000365 | SWITCH LABEL                   |     | 1   |         |        |        |      |
| 025  | TE00000384 | SWITCH PANEL                   |     | 1   |         |        |        |      |
| 026  | TE00000385 | UPPER BASE                     |     | 1   |         |        |        |      |
| D10  |            | INC. 24,25                     |     |     |         |        |        |      |
| 027  | TE00000386 | SUB MOTOR                      |     | 1   |         |        |        |      |
| D10  |            | INC. 28-30                     |     |     |         |        |        |      |
| 028  | TE00000281 | NUT M3                         |     | 1   |         |        |        |      |
| 029  | TE00000282 | SHAKE HEAD-POM 2               |     | 1   |         |        |        |      |
| 030  | TE00000102 | PHILLIPS HEAD SCREW M3X14      |     | 1   |         |        |        |      |
| 031  | TE00000256 | TAPPING SCREW 3X8              |     | 2   |         |        |        |      |
| 032  | TE00000277 | SHAKE HEAD -CONNECTION IRON    |     | 1   |         |        |        |      |
| 033  | TE00000387 | CONTROLLER                     |     | 1   |         |        |        |      |
| 034  | TE00000388 | SCREW 3X10                     |     | 4   |         |        |        |      |
| 035  | TE00000407 | CABLE TIE                      |     | 1   |         |        |        |      |
| 036  | TE00000090 | POM FLAT WASHER 16             |     | 1   |         |        |        |      |
| 037  | TE00000018 | ADAPTER SOCKET CAP             |     | 1   |         |        |        |      |
| 038  | TE00000389 | ADAPTOR PLATE                  |     | 1   |         |        |        |      |
| 039  | TE00000390 | DC CHARGE BASE                 |     | 1   |         |        |        |      |

Please order the parts with part number.

Print Date 25/4/2019

## Model No.DCF203 CORDLESS FAN

| Item | Parts No.  | Description                    | I/C | Qty | New/Old | Opt. 1 | Opt. 2 | Note |
|------|------------|--------------------------------|-----|-----|---------|--------|--------|------|
| 040  | TE00000274 | SHAKE HEAD-POM 1               |     | 1   |         |        |        |      |
| 041  | TE00000276 | NUT M8                         |     | 1   |         |        |        |      |
| 042  | TE00000263 | CLAMPING PARTS OF BATTERY TOUC |     | 1   |         |        |        |      |
| 043  | TE00000247 | TERMINAL                       |     | 1   |         |        |        |      |
| 044  | TE00000391 | BATTERY HOUSING                |     | 1   |         |        |        |      |
| 045  | TE00000394 | LEAD UNIT                      |     | 1   |         |        |        |      |
| 046  | TE00000392 | LOWER COVER OF THE BASE        |     | 1   |         |        |        |      |
| 047  | TE00000402 | RATING LABEL                   |     | 1   |         |        |        |      |
| 048  | TE00000069 | LOCKNUT M10                    |     | 1   |         |        |        |      |
| 049  | TE00000370 | CIRCLIP M3                     |     | 1   |         |        |        |      |
| 052  | TE00000408 | WASHER                         |     | 1   |         |        |        |      |
| 053  | TE00000028 | TAPPING SCREW 3X14             |     | 2   |         |        |        |      |
| 054  | TE00000028 | TAPPING SCREW 3X14             |     | 3   |         |        |        |      |
| 055  | TE00000028 | TAPPING SCREW 3X14             |     | 8   |         |        |        |      |
| 056  | TE00000028 | TAPPING SCREW 3X14             |     | 4   |         |        |        |      |
| 057  | TE00000028 | TAPPING SCREW 3X14             |     | 4   |         |        |        |      |
| 058  | TE00000028 | TAPPING SCREW 3X14             |     | 4   |         |        |        |      |
| 059  | TE00000028 | TAPPING SCREW 3X14             |     | 8   |         |        |        |      |
| A01  | TE00000173 | AC ADAPTOR                     |     | 1   |         |        |        |      |

Please order the parts with part number.

Print Date 25/4/2019