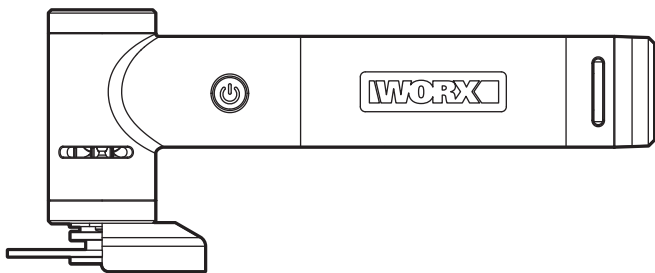


# WORX®



## MAKER X™

**Cordless Angle Grinder**

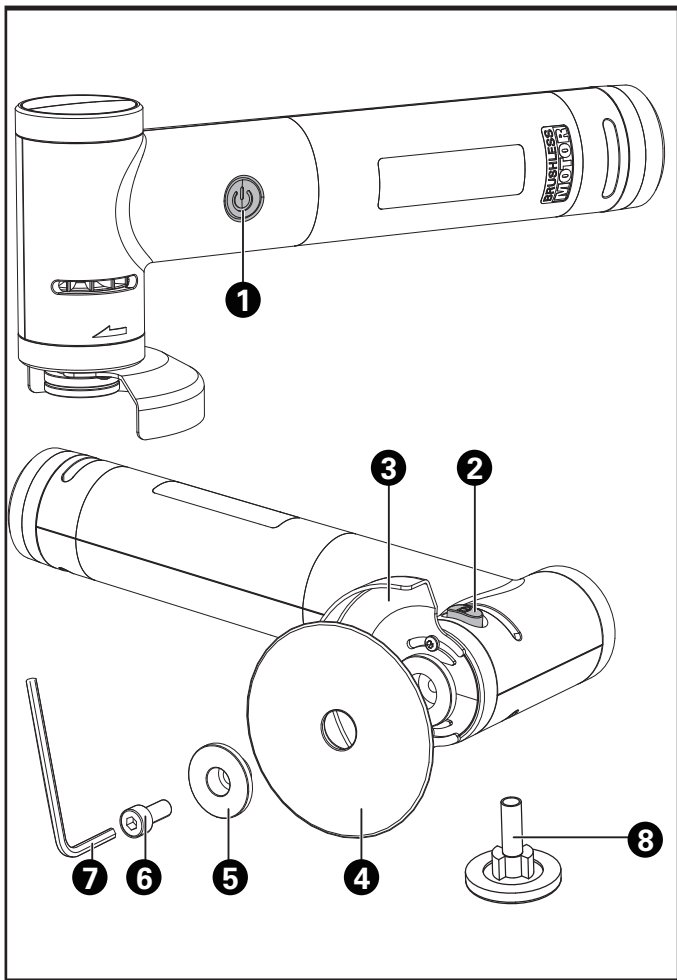
**EN P06**

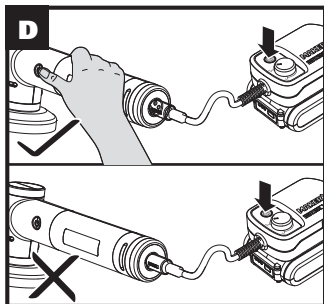
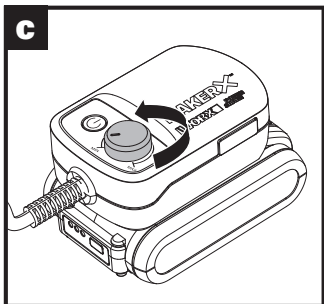
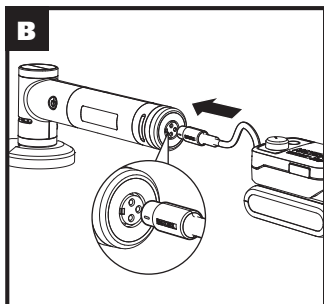
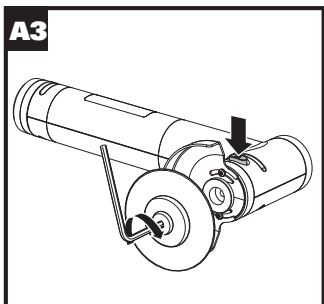
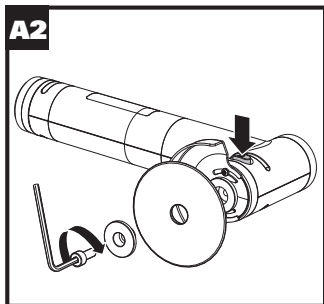
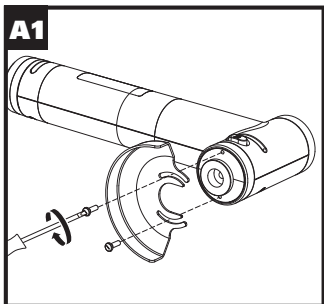
**Беспроводная угловая шлифовальная машина**

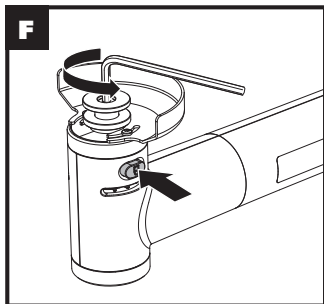
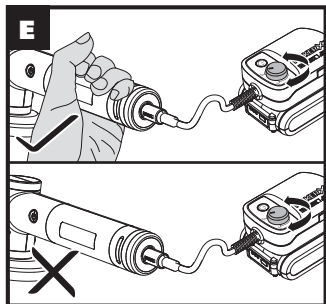
**RU P17**

**WX741 WX741.X**









## GENERAL POWER TOOL SAFETY WARNINGS



**WARNING READ ALL SAFETY WARNINGS DESIGNATED BY THE  SYMBOL AND ALL INSTRUCTIONS.**



**WARNING** Read all safety warnings and instructions. Failure to follow the warnings and instructions may result in electric shock, fire and/or serious injury.

### Save all warnings and instructions for future reference.

The term "power tool" in the warnings refers to your mains-operated (corded) power tool or battery-operated (cordless) power tool.

#### 1) Work area safety

- a) **Keep work area clean and well lit.** Cluttered or dark areas invite accidents.
- b) **Do not operate power tools in explosive atmospheres, such as in the presence of flammable liquids, gases or dust.** Power tools create sparks which may ignite the dust or fumes.
- c) **Keep children and bystanders away while operating a power tool.** Distractions can cause you to lose control.

#### 2) Electrical safety

- a) **Power tool plugs must match the outlet. Never modify the plug in any way. Do not use any adapter plugs with earthed (grounded) power tools.** Unmodified plugs and matching outlets will reduce risk of electric shock.
- b) **Avoid body contact with earthed or grounded surfaces such as pipes, radiators, ranges and refrigerators.** There is an increased risk of electric shock if your body is earthed or grounded.
- c) **Do not expose power tools to rain or wet conditions.** Water entering a power tool will increase the risk of electric shock.
- d) **Do not abuse the cord. Never use the cord for carrying, pulling or unplugging the power tool. Keep cord away from heat, oil, sharp edges or moving parts.** Damaged or entangled cords increase the risk of electric shock.
- e) **When operating a power tool outdoors, use an extension cord suitable for outdoor use.** Use of a cord suitable for outdoor use reduces the risk of electric shock.
- f) **If operating a power tool in a damp location is unavoidable, use a residual current device (RCD) protected supply.** Use of an RCD reduces the risk of electric shock.

#### 3) Personal safety

- a) **Stay alert, watch what you are doing and use common sense when operating a power tool. Do not use a power tool while you are tired or under the influence of drugs, alcohol or medication.** A moment of inattention while operating power tools may result in serious personal injury.
- b) **Use personal protective equipment. Always wear eye protection.** Protective equipment such as dust mask, non-skid safety shoes, hard hat, or hearing protection used for appropriate conditions will reduce personal injuries.
- c) **Prevent unintentional starting. Ensure the switch is in the off-position before**

**connecting to power source and/or battery pack, picking up or carrying the tool.** *Carrying power tools with your finger on the switch or energising power tools that have the switch on invites accidents.*

- d) **Remove any adjusting key or wrench before turning the power tool on. A wrench or a key left attached to a rotating part of the power tool may result in personal injury.**
  - e) **Do not overreach. Keep proper footing and balance at all times.** *This enables better control of the power tool in unexpected situations.*
  - f) **Dress properly. Do not wear loose clothing or jewelry. Keep your hair, clothing and gloves away from moving parts.** *Loose clothes, jewelry or long hair can be caught in moving parts.*
  - g) **If devices are provided for the connection of dust extraction and collection facilities, ensure these are connected and properly used.** *Use of dust collection can reduce dust-related hazards.*
- 4) Power tool use and care**
- a) **Do not force the power tool. Use the correct power tool for your application.** *The correct power tool will do the job better and safer at the rate for which it was designed.*
  - b) **Do not use the power tool if the switch does not turn it on and off.** *Any power tool that cannot be controlled with the switch is dangerous and must be repaired.*
  - c) **Disconnect the plug from the power source and/or the battery pack from the power tool before making any adjustments, changing accessories, or storing power tools.** *Such preventive safety measures reduce the risk of starting the power tool accidentally.*
  - d) **Store idle power tools out of the reach of children and do not allow persons unfamiliar with the power tool or these instructions to operate the power tool.** *Power tools are dangerous in the hands of untrained users.*
  - e) **Maintain power tools. Check for misalignment or binding of moving parts, breakage of parts and any other condition that may affect the power tools operation. If damaged, have the power tool repaired before use.** *Many accidents are caused by poorly maintained power tools.*
  - f) **Keep cutting tools sharp and clean.** *Properly maintained cutting tools with sharp cutting edges are less likely to bind and are easier to control.*
  - g) **Use the power tool, accessories and tool bits etc., in accordance with these instructions and in the manner intended for the particular type of power tool, taking into account the working conditions and the work to be performed.** *Use of the power tool for operations different from those intended could result in a hazardous situation.*
- 5) Battery tool use and care**
- a) **Recharge only with the charger specified by the manufacturer.** *A charger that is suitable for one type of battery pack may create a risk of fire when used with another battery pack.*
  - b) **Use power tools only with specifically designated battery packs.** *Use of any other battery packs may create a risk of injury and fire.*

- c) **When battery pack is not in use, keep it away from other metal objects, like paper clips, coins, keys, nails, screws or other small metal objects, that can make a connection from one terminal to another.** *Shorting the battery terminals together may cause burns or a fire.*
- d) **Under abusive conditions, liquid may be ejected from the battery; avoid contact. If contact accidentally occurs, flush with water. If liquid contacts eyes, additionally seek medical help.** *Liquid ejected from the battery may cause irritation or burns.*
- 6) **Service**
- a) **Have your power tool serviced by a qualified repair person using only identical replacement parts.** *This will ensure that the safety of the power tool is maintained.*

### **SAFETY INSTRUCTIONS FOR ALL OPERATIONS :**

#### **Safety warnings common for grinding, sanding or abrasive cutting-off operations:**

- a) **This power tool is intended to function as a grinder, sander or cut-off tool. Read all safety warnings, instructions, illustrations and specifications provided with this power tool.** *Failure to follow all instructions listed below may result in electric shock, fire and/or serious injury.*
- b) **Operations such as wire brushing or polishing are not recommended to be performed with this power tool.** *Operations for which the power tool was not designed may create a hazard and cause personal injury.*
- c) **Do not use accessories which are not specifically designed and recommended by the tool manufacturer.** *Just because the accessory can be attached to your power tool, it does not assure safe operation.*
- d) **The rated speed of the accessories must be at least equal to the maximum speed setting marked on the power tool.** *Accessories running faster than their rated speed can break and fly apart.*
- e) **The outside diameter and the thickness of your accessory must be within the capacity rating of your power tool.** *Incorrectly sized accessories cannot be adequately controlled.*
- f) **Threaded mounting of accessories must match the grinder spindle thread. For accessories mounted by flanges, the arbour hole of the accessory must fit the locating diameter of the flange.** *Accessories that do not match the mounting hardware of the power tool will run out of balance, vibrate excessively and may cause loss of control.*
- g) **Do not use a damaged accessory. Before each use inspect the accessory such as abrasive wheels for chips and cracks, backing pad for cracks, tear or excess wear, wire brush for loose or cracked wires. If power tool or accessory is dropped, inspect for damage or install an undamaged accessory. After inspecting and installing an accessory, position yourself and bystanders away from the plane of the rotating accessory and run the power tool at maximum no-load speed for one minute.** *Damaged accessories will normally break apart during this test time.*



- h) Wear personal protective equipment. Depending on application, use face shield, safety goggles or safety glasses. As appropriate, wear dust mask, hearing protectors, gloves and workshop apron capable of stopping small abrasive or workpiece fragments.** *The eye protection must be capable of stopping flying debris generated by various operations. The dust mask or respirator must be capable of filtering particles generated by your operation. Prolonged exposure to high intensity noise may cause hearing loss.*
- i) Keep bystanders a safe distance away from work area. Anyone entering the work area must wear personal protective equipment.** *Fragments of workpiece or of a broken accessory may fly away and cause injury beyond immediate area of operation.*
- j) Hold the power tool by insulated gripping surfaces only, when performing an operation where the cutting tool may contact hidden wiring.** *Contact with a "live" wire will also make exposed metal parts of the power tool "live" and could give the operator an electric shock.*
- k) Never lay the power tool down until the accessory has come to a complete stop.** *The spinning accessory may grab the surface and pull the power tool out of your control.*
- l) Do not run the power tool while carrying it at your side.** *Accidental contact with the spinning accessory could snag your clothing, pulling the accessory into your body.*
- m) Regularly clean the power tool's air vents.** *The motor's fan will draw the dust inside the housing and excessive accumulation of powdered metal may cause electrical hazards.*
- n) Do not operate the power tool near flammable materials.** *Sparks could ignite these materials.*
- o) Do not use accessories that require liquid coolants.** *Using water or other liquid coolants may result in electrocution or shock.*

## **FURTHER SAFETY INSTRUCTIONS FOR ALL OPERATIONS**

### **Kickback and related warnings**

Kickback is a sudden reaction to a pinched or snagged rotating wheel, sanding band, brush or any other accessory. Pinching or snagging causes rapid stalling of the rotating accessory which in turn causes the uncontrolled power tool to be forced in the direction opposite of the accessory's rotation.

For example, if an abrasive wheel is snagged or pinched by the workpiece, the edge of the wheel that is entering into the pinch point can dig into the surface of the material causing the wheel to climb out or kick out. The wheel may either jump toward or away from the operator, depending on direction of the wheel's movement at the point of pinching. Abrasive wheels may also break under these conditions.

Kickback is the result of power tool misuse and/or incorrect operating procedures or conditions and can be avoided by taking proper precautions as given below.

- a) Maintain a firm grip on the power tool and position your body and arm to allow you to resist kickback forces. Always use auxiliary handle, if provided, for maximum control over kickback or torque reaction during start-up.** *The operator can control kickback forces, if proper precautions are taken.*

- b) **Never place your hand near the rotating accessory.** *Accessory may kickback over your hand.*
- c) **Do not position your body in the area where power tool will move if kickback occurs.** *Kickback will propel the tool in direction opposite to the wheel's movement at the point of snagging.*
- d) **Use special care when working corners, sharp edges etc. Avoid bouncing and snagging the accessory.** *Corners, sharp edges or bouncing have a tendency to snag the rotating accessory and cause loss of control or kickback.*
- e) **Do not attach a saw chain woodcarving blade or toothed saw blade.** *Such blades create frequent kickback and loss of control.*

#### **SAFETY WARNINGS SPECIFIC FOR GRINDING AND ABRASIVE CUTTING-OFF OPERATIONS:**

- a) **Use only wheel types that are recommended for your power tool and the specific guard designed for the selected wheel.** *Wheels for which the power tool was not designed cannot be adequately guarded and are unsafe.*
- b) **The grinding surface of centre depressed wheels must be mounted below the plane of the guard lip.** *An improperly mounted wheel that projects through the plane of the guard lip cannot be adequately protected.*
- c) **The guard must be securely attached to the power tool and positioned for maximum safety, so the least amount of wheel is exposed towards the operator.** *The guard helps to protect the operator from broken wheel fragments, accidental contact with wheel and sparks that could ignite clothing.*
- d) **Wheels must be used only for recommended applications. For example: do not grind with the side of cut-off wheel.** *Abrasive cut-off wheels are intended for peripheral grinding, side forces applied to these wheels may cause them to shatter.*
- e) **Always use undamaged wheel flanges that are of correct size and shape for your selected wheel.** *Proper wheel flanges support the wheel thus reducing the possibility of wheel breakage. Flanges for cut-off wheels may be different from grinding wheel flanges.*
- f) **Do not use worn down wheels from larger power tools.** *Wheel intended for larger power tool is not suitable for the higher speed of a smaller tool and may burst.*

#### **ADDITIONAL SAFETY WARNINGS SPECIFIC FOR ABRASIVE CUTTING-OFF OPERATIONS:**

- a) **Do not "jam" the cut-off wheel or apply excessive pressure. Do not attempt to make an excessive depth of cut.** *Overstressing the wheel increases the loading and susceptibility to twisting or binding of the wheel in the cut and the possibility of kickback or wheel breakage.*
- b) **Do not position your body in line with and behind the rotating wheel.** *When the wheel, at the point of operation, is moving away from your body, the possible kickback may propel the spinning wheel and the power tool directly at you.*
- c) **When wheel is binding or when interrupting a cut for any reason, switch off the power tool and hold the power tool motionless until the wheel comes to a**

**complete stop. Never attempt to remove the cut-off wheel from the cut while the wheel is in motion otherwise kickback may occur.** Investigate and take corrective action to eliminate the cause of wheel binding.

- d) **Do not restart the cutting operation in the workpiece. Let the wheel reach full speed and carefully re-enter the cut.** The wheel may bind, walk up or kickback if the power tool is restarted in the workpiece.
- e) **Support panels or any oversized workpiece to minimize the risk of wheel pinching and kickback.** Large workpieces tend to sag under their own weight. Supports must be placed under the workpiece near the line of cut and near the edge of the workpiece on both sides of the wheel.
- f) **Use extra caution when making a "pocket cut" into existing walls or other blind areas.** The protruding wheel may cut gas or water pipes, electrical wiring or objects that can cause kickback.

#### **SAFETY WARNINGS SPECIFIC FOR SANDING OPERATIONS:**

- a) **Do not use excessively oversized sanding disc paper. Follow manufacturers recommendations, when selecting sanding paper.** Larger sanding paper extending beyond the sanding pad presents a laceration hazard and may cause snagging, tearing of the disc or kickback.

#### **SAFETY WARNINGS FOR BATTERY PACK**

- a) **Do not dismantle, open or shred cells or battery pack.**
- b) **Do not short-circuit a battery pack. Do not store battery packs haphazardly in a box or drawer where they may short-circuit each other or be short-circuited by conductive materials.** When battery pack is not in use, keep it away from other metal objects, like paper clips, coins, keys, nails, screws or other small metal objects, that can make a connection from one terminal to another. Shorting the battery terminals together may cause burns or a fire.
- c) **Do not expose battery pack to heat or fire. Avoid storage in direct sunlight.**
- d) **Do not subject battery pack to mechanical shock.**
- e) **In the event of battery leaking, do not allow the liquid to come into contact with the skin or eyes. If contact has been made, wash the affected area with copious amounts of water and seek medical advice.**
- f) **Seek medical advice immediately if a cell or battery pack has been swallowed.**
- g) **Keep battery pack clean and dry.**
- h) **Wipe the battery pack terminals with a clean dry cloth if they become dirty.**
- i) **Battery pack needs to be charged before use. Always refer to this instruction and use the correct charging procedure.**
- j) **Do not maintain battery pack on charge when not in use.**
- k) **After extended periods of storage, it may be necessary to charge and discharge the battery pack several times to obtain maximum performance.**

- l) Recharge only with the charger specified by Worx. Do not use any charger other than that specifically provided for use with the equipment.**
- m) Do not use any battery pack which is not designed for use with the equipment.**
- n) Keep battery pack out of the reach of children.**
- o) Retain the original product literature for future reference.**
- p) Remove the battery from the equipment when not in use.**
- q) Dispose of properly.**
- r) Do not mix cells of different manufacture, capacity, size or type within a device.**
- s) Do not remove battery pack from its original packaging until required for use.**
- t) Observe the plus (+) and minus (-) marks on the battery and ensure correct use.**

## SYMBOLS

	To reduce the risk of injury, user must read instruction manual
	Warning
	Wear eye protection
	Wear ear protection
	Wear dust mask
	Wear protective gloves
	Do not burn
	Batteries may enter water cycle if disposed improperly, which can be hazardous for ecosystem. Do not dispose of waste batteries as unsorted municipal waste.



Li-Ion battery. This product has been marked with a symbol relating to 'separate collection' for all battery packs and battery pack. It will then be recycled or dismantled in order to reduce the impact on the environment. Battery packs can be hazardous for the environment and for human health since they contain hazardous substances.

## COMPONENT LISTS


- 1. ON/OFF SWITCH**
- 2. SPINDLE LOCK BUTTON**
- 3. WHEEL GUARD**
- 4. WHEEL**
- 5. FLANGE**
- 6. SCREW**
- 7. HEX KEY ( M4)**
- 8. 6.4MM BUTTERFLY-TYPE BLADE ARBOR ADAPTER**

**Not all the accessories illustrated or described are included in standard delivery.**

EN

13

## TECHNICAL DATA

	WX741WX741.X*
Voltage	20 V  Max**
Motor type	Brushless
Rated speed	14000-24000/min
Blade size	50 mm
	38 mm
Blade bore	10 mm (only for 50 mm blade)
	6.4 mm Butterfly-type with adapter (only for 38 mm blade)
Spindle thread	M4
Machine weight (bare tool)	130 g

\* X=1-99, A-Z, M1-M9 there are only used for different customers, there are no safe relevant changes between these models.

\*\* Voltage measured without workload. Initial battery voltage reaches maximum of 20 volts. Nominal voltage is 18 volts.

## NOISE INFORMATION

A weighted sound pressure  $L_{pA}$ : 75.2 dB(A)

A weighted sound power  $L_{WA}$ : 86.2 dB(A)

$K_{pA}$  &  $K_{WA}$  3dB(A)

## Wear ear protection.

## VIBRATION INFORMATION

Vibration total values (triax vector sum) determined according to EN 60745:

Surface grinding or abrasive cutting off	Vibration emission value $a_{hAG} = 2.931 \text{ m/s}^2$
	Uncertainty $K = 1.5 \text{ m/s}^2$
Disc sanding	Vibration emission value $a_{hDS} = 3.116 \text{ m/s}^2$
	Uncertainty $K = 1.5 \text{ m/s}^2$

EN

14

The declared vibration total value may be used for comparing one tool with another, and may also be used in a preliminary assessment of exposure.



**WARNING:** The vibration emission value during actual use of the power tool can differ from the declared value depending on the ways in which the tool is used dependant on the following examples and other variations on how the tool is used:  
How the tool is used and the materials being cut or drilled.

The tool being in good condition and well maintained

The use the correct accessory for the tool and ensuring it is sharp and in good condition.

The tightness of the grip on the handles and if any anti vibration accessories are used.

And the tool is being used as intended by its design and these instructions.

**This tool may cause hand-arm vibration syndrome if its use is not adequately managed.**








**WARNING!** To be accurate, an estimation of exposure level in the actual conditions of use should also take account of all parts of the operating cycle such as the times when the tool is switched off and when it is running idle but not actually doing the job. This may significantly reduce the exposure level over the total working period.

Helping to minimise your vibration exposure risk.

ALWAYS use sharp chisels, drills and blades

Maintain this tool in accordance with these instructions and keep well lubricated (where appropriate)

If the tool is to be used regularly then invest in anti vibration accessories.  
Plan your work schedule to spread any high vibration tool use across a number of days.

Category	Model	Capacity
20V Hub/HubX	WA7160	Input: 20 V  10 A Max. Output: 20 V  10 A Max.
	WA7161	Input: 20 V  10 A Max. Output: 20 V  10 A Max. Or Output: 5 V  2 A (USB port)

We recommend that you purchase your accessories from the same store that sold you the tool. Refer to the accessory packaging for further details. Store personnel can assist you and offer advice.

MakerX series tools and 20V Hub/HubX are specially designed to work together, so do not attempt to use any other devices.

## OPERATING INSTRUCTIONS



**NOTE:** Before using the tool, read the instruction book carefully.

### INTENDED USE:

The machine is intended for cutting, roughing and brushing metal and stone materials without using water. For cutting metal, a special protection guard for cutting (accessory) must be used.

### ASSEMBLY

1. Mount the guard as needed. (See Fig.A1)

Press and hold the spindle lock button, assemble the wheel and flange, then use the hex key to tighten. (See Fig. A2)

**NOTE:** Always ensure the workpiece is firmly held or clamped to prevent movement. The angle grinder can work with Butterfly-style arbors such as the EZ-Lock® discs of Dremel®. Dremel and EZ-Lock are trademarks of Robert Bosch Tool Corporation. (See Fig. A3)

2. Connect the angle grinder to the hub. (See Fig. B)



**WARNING: Before operation, make sure the speed control button on the hub is at the "Min" position. (See Fig. C)**

### OPERATION

1. Confirm the speed control button is set to "Min". Grasp the tool by the grip. Press the on/off switch on the hub and that on the angle grinder to start the machine. (See Fig. D)

**CAUTION:** Do not use damaged or worn accessories. Make sure the machine is in perfect condition.

**NOTE:** Always start at no load to achieve maximum speed then start working. Do not use

excessive contact pressure! A correct and uniform speed enables better performance.

2. Adjust speed as needed. (See Fig. E)


**NOTE:** After usage, press the on/off switch on the hub and that on the angle grinder to turn off the machine and disconnect it from the hub. For sake of safety, adjust the speed control button to "Min" position once completing the operation.

3. Replace the disc. (See Fig. F)

Press and hold the spindle lock button and use the hex key to loosen.

**NOTE:** Before changing the accessory, make sure your machine is turned off and disconnected from the hub or battery.

**NOTE:** 2 spare screws for the guard, and 1 spare blade flange have been included with your tool, in case the original pieces become lost.

 **WARNING:** Never use a cutting disc for roughing.

## MAINTENANCE

**Remove the battery pack from the machine before carrying out any adjustment, servicing or maintenance.**

Your power tool requires no additional lubrication or maintenance.

There are no user serviceable parts in your power tool. Never use water or chemical cleaners to clean your power tool. Wipe clean with a dry cloth. Always store your power tool in a dry place. Keep the motor ventilation slots clean. Keep all working controls free of dust. Occasionally you may see sparks through the ventilation slots.

This is normal and will not damage your power tool.

## ENVIRONMENTAL PROTECTION



Waste electrical products must not be disposed of with household waste. Please recycle where facilities exist. Check with your local authorities or retailer for recycling advice.



## ОБЩИЕ ПРАВИЛА ТЕХНИКИ БЕЗОПАСНОСТИ ПРИ РАБОТЕ С ЭЛЕКТРОИНСТРУМЕНТОМ

 **ВНИМАНИЕ!** Прочтите все предупреждения по технике безопасности, обозначенные символом , и все инструкции.

 **ПРЕДУПРЕЖДЕНИЕ!** Внимательно ознакомьтесь с инструкциями и предупреждениями по технике безопасности.

Невыполнение всех нижеприведенных инструкций и рекомендаций может привести к поражению электрическим током, пожару и серьезным травмам.

**Сохраните все предупреждения и инструкции для дальнейшего пользования.**

В дальнейшем термин “электроинструмент” используется как для работающего от сети (проводного) электроинструмента, так и для электроинструмента, работающего от аккумулятора (беспроводного).

### 1. Безопасность на рабочем месте

- a) **Содержите рабочее место в чистоте и хорошо освещенным.** Загроможденные и плохо освещенные зоны способствуют возникновению несчастных случаев.
- b) **Не работайте с инструментом во взрывоопасной атмосфере, в присутствии воспламеняемых жидкостей, газов или пыли.** Возникающие при работе электроинструмента искры могут привести к воспламенению горючих веществ.
- c) **При работе с инструментом дети и посторонние должны находиться на безопасном расстоянии.** Отвлечение внимания может привести к потере вами контроля.

### 2. Электробезопасность

- a) **Штепсельные вилки электроинструментов должны соответствовать розеткам. Никогда никоим образом не изменяйте соединительную вилку. При заземленных электроинструментах не используйте никаких переходников.** Неизмененные вилки и соответствующие розетки снижают риск поражения электротоком.
- b) **Избегайте физического контакта с заземленными поверхностями, такими, как трубы, радиаторы, плиты и холодильники.** Риск поражения электротоком повышается, если ваше тело будет заземлено.
- c) **Не подвергайте электроинструменты воздействию дождя или высокой влажности.** Попадание воды в электроинструмент повышает опасность поражения электротоком.
- d) **Правильно обращайтесь с электрокабелем. Никогда не используйте кабель для переноски электроинструмента, а также не тяните за кабель для выключения из розетки. Держите кабель на безопасном расстоянии от источников тепла, масла, острых кромок и движущихся частей.** Поврежденные или запутанные кабели повышают риск поражения электротоком.
- e) **При работе с электроинструментом вне помещений используйте удлинители, которые предназначены для работы на открытом воздухе.** Это снижает риск

поражения электротоком.

- f) **При использовании электроинструмента во влажном помещении его необходимо подключать к электросети через устройство защитного отключения (УЗО).** Использование УЗО снижает риск поражения электротоком.

### 3. Личная безопасность

- a) **Будьте внимательны: следите за тем, что вы делаете и руководствуйтесь здравым смыслом, работая с электроинструментом. Не используйте электроинструмент, если вы устали или находитесь под воздействием сильнодействующих средств, алкоголя или медикаментов.** Потеря внимания даже на короткое мгновение при работе с электроинструментом может привести к серьезным травмам.
  - b) **Используйте индивидуальные средства защиты. Всегда надевайте средства защиты глаз.** Такие средства защиты, как респиратор, нескользящая защитная обувь, каска или защитные наушники, используемые в соответствующих условиях, снижают риск получения травм.
  - c) **Предотвращайте случайный запуск электроинструмента. Убедитесь, что выключатель находится в положении "Выключено" перед подключением к электросети и / или аккумуляторной батарее, сборкой или переносом электроинструмента.** Переноска инструмента с пальцем на кнопке пуска или включение в сеть электроинструмента с включенным выключателем способствует несчастному случаю.
- RU
- 
- 18
- d) **Удаляйте все регулировочные приспособления или гаечные ключи перед включением электроинструмента.** Оставленные на вращающихся деталях электроинструмента, они могут привести к травме.
  - e) **Не перенапрягайтесь. Постоянно занимайте устойчивое положение и поддерживайте равновесие.** Это позволяет лучше контролировать электроинструмент в непредвиденных ситуациях.
  - f) **Одевайтесь надлежащим образом. Не надевайте свободную одежду или украшения. Держите волосы, одежду и перчатки на расстоянии от движущихся частей.** Свободную одежду, украшения или длинные волосы может затянуть в движущиеся части.
  - g) **Используйте предусмотренные средства и устройства для сбора и удаления пыли, если инструмент оснащен таковыми.** Использование таких средств может снизить опасности, связанные с пылью.
- ### 4. Использование электроинструмента и уход за ним
- a) **Не перегружайте электроинструмент. Используйте подходящий инструмент для каждой определенной цели.** Правильно подобранный электроинструмент выполнит работу лучше и надежнее на уровне, для которого он предназначен.
  - b) **Не используйте электроинструмент, если выключатель невозможно включить или выключить.** Любой электроинструмент, который невозможно контролировать выключателем, представляет опасность и должен быть отремонтирован.
  - c) **Отсоедините штепсель от электросети и / или аккумуляторную батарею**

от электроинструмента перед проведением каких-либо настроек, сменой насадок или хранением электроинструмента. Подобные предохранительные меры снижают опасность случайного пуска электроинструмента.

- d) Храните не использующиеся электроинструменты в местах, недоступных для детей. Не разрешайте работать с электроинструментом лицам, которые не знают его особенностей или не ознакомлены с данной инструкцией.** Электроинструменты в руках необученных пользователей представляют опасность.
- e) Поддерживайте электроинструмент в исправном состоянии. Проверяйте инструмент на предмет смещения или заедания движущихся частей, поломки деталей или любых иных неисправностей, могущих повлиять на работу электроинструмента. В случае повреждения следует отремонтировать электроинструмент перед применением.** Многие несчастные случаи вызваны плохим уходом за электроинструментом.
- f) Режущий инструмент должен быть заточенным и чистым.** При поддержании режущих инструментов в надлежащем состоянии и с острыми режущими кромками вероятность их заклинивания уменьшается и ими легче управлять.
- g) Используйте электроинструмент, принадлежности, сверла и т. п. в соответствии с данными инструкциями, спецификой конкретного типа электроинструмента, учитывая условия работы и выполняемую задачу.** Использование электроинструмента для иных операций, помимо тех, для которых он предназначен, может привести к возникновению опасной ситуации.

## **5. Эксплуатация и уход за аккумуляторным инструментом**

- a) Выполняйте зарядку только при помощи зарядного устройства, указанного производителем.** Зарядное устройство, подходящее для одного типа аккумуляторной батареи, может создать риск возгорания при использовании с другой аккумуляторной батареей.
- b) Используйте электроинструменты только с аккумуляторными батареями, специально предназначенными для данных инструментов.** Использование любых других аккумуляторных батарей может привести к травмам и пожару.
- c) Когда аккумуляторная батарея не используется, храните ее вдали от других металлических предметов, таких как скрепки, монеты, ключи, гвозди, винты или другие мелкие металлические предметы, которые могут соединять одну клемму с другой.** Короткое замыкание клемм аккумулятора может привести к ожогам или пожару.
- d) В неблагоприятных условиях из аккумулятора может произойти выброс жидкости; следует избежать контакта. В случае контакта промойте пораженный участок большим количеством воды и обратитесь к врачу.** Если жидкость попала в глаза, обратитесь за медицинской помощью. Жидкость, вытекшая из батареи, может вызвать раздражение или ожоги.

## **6. Сервисное обслуживание**

- a) Ремонт электроинструмента должен выполняться квалифицированным персоналом с использованием только оригинальных запасных частей.** Это обеспечит гарантию безопасности его использования.

## **ИНСТРУКЦИИ ПО БЕЗОПАСНОСТИ ДЛЯ ВСЕХ ВИДОВ РАБОТ:**

**Предупреждения по безопасности при выполнении операций шлифования, пескоструйная обработка и абразивного отрезания:**

- a) Этот электроинструмент предназначен для использования в качестве шлифовальной машины, sander or cut-off tool. Прочитайте все предупреждения, инструкции по технике безопасности, иллюстрации и спецификации, прилагаемые к этому электроинструменту.** Невыполнение всех перечисленных ниже инструкций может привести к поражению электрическим током, пожару и / или серьезным травмам.
- b) Данный электроинструмент не рекомендуется использовать для выполнения таких операций, как щеточная очистка или полировка.** Выполнение операций, для которых электроинструмент не предназначен, может создать опасную ситуацию и стать причиной травмы.
- c) Не используйте аксессуары, которые не были специально разработаны и рекомендованы производителем инструмента.** Тот факт, что аксессуар может быть закреплен на вашем электроинструменте, еще не гарантирует его безопасное использование.
- d) Номинальная скорость вращения аксессуара должна быть как минимум равна максимальной скорости, указанной на электроинструменте.** Аксессуары, вращающиеся быстрее указанной номинальной скорости, могут оторваться и отлететь.
- e) Наружный диаметр и толщина вашего аксессуара должны соответствовать номинальной мощности электроинструмента.** Неправильно подобранные аксессуары не могут быть должным образом закрыты предохранительным устройством или правильно контролироваться.
- f) Размер оправок дисков и фланцев должен обеспечивать точную установку шпинделя электроинструмента. Для аксессуаров, смонтированных посредством фланцев, отверстие для оправки аксессуара должно соответствовать посадочному диаметру фланца.** Аксессуары с отверстиями оправки, которые не совпадают с монтажными приспособлениями электроинструмента, будут работать несбалансированно, с избыточной вибрацией и могут привести к потере управления.
- g) Не используйте поврежденные аксессуары. Перед каждым использованием проверяйте аксессуары, какие так абразивные диски, на наличие сколов и трещин, диск-подшву на наличие трещин, разрывов или чрезмерного износа. Если электроинструмент или аксессуар случайно уронили, проверьте их на повреждения или установите неповрежденный аксессуар. После проверки и установки аксессуара встаньте сами и проследите, чтобы присутствующие располагались подальше от плоскости вращающегося диска, затем дайте проработать электроинструменту на максимальной скорости без нагрузки в течение одной минуты. В течение этого тестового времени поврежденные аксессуары обычно разламываются.**
- h) Носите средства индивидуальной защиты. В зависимости от применения носите лицевой щиток, закрытые или защитные очки. При необходимости**

**надевайте пылезащитную маску, защитные наушники, перчатки и рабочий фартук, способный предохранить от небольших осколков абразивного материала или обрабатываемого предмета.** Защита глаз должна быть способна предохранить от летящего мусора, сопутствующего различным операциям. Пылезащитная маска или респиратор должны быть способны отфильтровывать частицы, образующиеся в результате работы. Продолжительное воздействие шума высокой интенсивности может привести к потере слуха.

- i) Держите посторонних на безопасном расстоянии от рабочей зоны. Любой, вошедший в рабочую зону, должен надевать средства индивидуальной защиты.** Осколки обрабатываемого предмета или сломавшийся диск могут отлететь в сторону и привести к травмам за пределами участка непосредственно работы.
- j) Удерживайте электроинструмент только за изолированные захватные поверхности при выполнении операций, когда режущий аксессуар может контактировать со скрытой проводкой или собственным шнуром питания.** Режущий аксессуар, контактирующий с проводом под напряжением, может проводить напряжение на металлические части электроинструмента и стать причиной удара оператора электрическим током.
- k) Никогда не кладите электроинструмент, пока аксессуар не остановится полностью.** Вращающийся диск может зацепиться за поверхность, и вы потеряете контроль над электроинструментом.
- l) Не запускайте электроинструмент во время его переноски.** Случайный контакт с вращающимся аксессуаром может зацепить одежду, затягивая аксессуар к вашему телу
- m) Регулярно очищайте вентиляционные отверстия электроинструмента.** Вентилятор электродвигателя затягивает пыль внутрь корпуса; избыточное скопление металлического порошка может привести к поражению электрическим током.
- n) Не используйте электроинструмент рядом с горючими материалами.** Искры могут воспламенить эти материалы.
- o) Не используйте аксессуары, для которых необходимы охлаждающие жидкости.** Использование воды или других охлаждающих жидкостей может привести к поражению электрическим током.

## **ДОПОЛНИТЕЛЬНЫЕ ИНСТРУКЦИИ ПО ТЕХНИКЕ БЕЗОПАСНОСТИ ДЛЯ ВСЕХ ОПЕРАЦИЙ**

### **ОТДАЧА И ОТНОСЯЩИЕСЯ К НЕЙ ПРЕДУПРЕЖДЕНИЯ**

Отдачей называется внезапная реакция зажатого или зацепленного вращающегося диска, подпорной пластины, щетки или любой другой принадлежности. При зажиме или зацепке происходит быстрый останов вращающейся принадлежности, которое, в свою очередь, вызывает движение неконтролируемого ручного инструмента в направлении, противоположном вращению принадлежности в точке соприкосновения.

Например, если шлифовальный диск зацепится или будет зажат в заготовке,

край диска, входящий в точку зажима, может врезаться в поверхность материала, в результате чего диск поднимется или выскочит. Диск может рвануться или к оператору, или от него, в зависимости от направления вращения диска в точке зажима. В этих условиях шлифовальный диск может и сломаться.

Отдача происходит при неправильном применении и/или неправильном способе работы с ручным инструментом. Приняв должные меры предосторожности, описанные ниже, ее можно избежать.

- a) Крепко удерживайте ручной инструмент и расположите свое тело и руку так, чтобы была возможность противостоять силам отдачи. Если есть дополнительная рукоятка, всегда пользуйтесь ею, чтобы в максимальной мере контролировать реакцией отдачи или момента во время пуска.** Оператор может контролировать момент реакции или силы отдачи, если предпримет следующие меры предосторожности.
- b) Ни в коем случае не ставьте руку поблизости вращающейся принадлежности.** В результате отдачи принадлежность может отскочить к руке.
- c) Не стойте в зоне, в которую может отскочить ручной инструмент в случае отдачи.** Отдача увлечет инструмент в направлении, противоположном движению диска в точке зацепки.
- d) Будьте особо осторожны при обработке углов, острых краев и т. п. Избегайте рикошета и зацепки принадлежности.** На углах, острых краях или при рикошете вращающаяся принадлежность обычно зацепляется, что приводит к потере контроля и отдаче.
- e) Не насаживайте на инструмент сегменты цепной пилы или лезвия для резьбы по дереву.** Такие лезвия могут вызывать частые отскоки и привести к потере управляемости.

RU

22

## **ДОПОЛНИТЕЛЬНЫЕ ИНСТРУКЦИИ ПО ТЕХНИКЕ БЕЗОПАСНОСТИ ДЛЯ ОПЕРАЦИЙ ЗАТОЧКИ И ОТРЕЗАНИЯ**

**Предупреждения по технике безопасности, особо касающиеся операций шлифования и абразивной резки:**

- a) Всегда пользуйтесь ограждением, предназначенным для используемого типа диска. Ограждение должно быть прочно закреплено на ручном инструменте и расположено так, чтобы обеспечивать максимальную безопасность и чтобы к оператору была обращена как можно меньшая часть диска.** Ограждение помогает защитить оператора от фрагментов сломанного диска и от случайного контакта с диском.
- b) Шлифовальная поверхность дисков с вогнутым центром должна устанавливаться ниже плоскости защитной кромки.** Неправильно установленный диск, выступающий за пределы защитной кромки, остается не защищенным надлежащим образом.
- c) Пользуйтесь только теми типами дисков, которые рекомендуются**

**для вашего ручного инструмента, и конкретным ограждением, предназначенным для использования с выбранным диском.** Диски, для которых ручной инструмент не предназначен, невозможно должным образом оградить, и они небезопасны.

- d) Диски следует использовать только для рекомендуемых применений. Например: не выполняйте шлифование боковой поверхностью отрезного диска.** Абразивные отрезные диски предназначены для окружного шлифования. Боковые силы, прилагаемые к этим дискам, могут привести к их поломке.
- e) Всегда пользуйтесь неповрежденными фланцами дисков, которые имеют размер и форму, нужные для выбранного диска.** Подходящие фланцы дисков поддерживают диск, снижая тем самым вероятность поломки диска. Фланцы отрезных дисков могут отличаться от фланцев шлифовальных дисков.
- f) Не пользуйтесь изношенными дисками ручного инструмента больших размеров.** Диск, предназначенный для большего ручного инструмента, не подходит для большей скорости, которая возникает в меньшем ручном инструменте, и может сломаться.

## **ДОПОЛНИТЕЛЬНЫЕ ИНСТРУКЦИИ ПО ТЕХНИКЕ БЕЗОПАСНОСТИ ДЛЯ ОПЕРАЦИЙ ОТРЕЗАНИЯ**

**Дополнительные предупреждения по технике безопасности при операциях абразивной резке:**

- a) Не зажимайте отрезной диск и не прилагайте чрезмерных усилий. Не пытайтесь выполнять разрез чрезмерной глубины.** Перегрузка диска увеличивает нагрузку, восприимчивость к скручиванию или изгибу диска в разрезе и возможность отдачи или поломки диска.
- b) Не располагайте своего тела по оси вращающегося диска или за ним.** Когда диск в рабочей точке движется от вашего тела, возможная отдача увлечет вращающийся диск и ручной инструмент прямо на вас.
- c) Когда диск изгибается или когда вы по какой-либо причине прерываете резание, выключите ручной инструмент и держите его неподвижно, пока диск полностью не остановится.** Ни в коем случае не пытайтесь вывести отрезной диск из разреза при вращающемся диске, иначе может произойти отдача. Выясните причину изгиба диска и внесите исправления, чтобы устранить причину изгиба диска.
- d) Не возобновляйте резание, когда диск находится в заготовке. Подождите, пока диск достигнет полной скорости, и тогда введите его в разрез.** Если ручной инструмент снова запустить в заготовке, диск может изогнуться, выйти или вызвать отдачу.
- e) Удерживайте плиты или заготовку большого размера, чтобы минимизировать риск захвата диска или отдачи.** Большим заготовкам свойственно провисать под собственным весом. Опоры следует размещать под заготовкой вблизи линии разреза и у края заготовки по обе стороны

диска.

- f) Будьте особо осторожно при выполнении углубления в существующих стенах или других глухих местах.** Выступающий диск может обрезать газовые или водопроводные трубы, электрическую проводку или предметы, вызывающие отдачу.

### **СПЕЦИАЛЬНЫЕ МЕРЫ ПРЕДОСТОРОЖНОСТИ ДЛЯ РАБОТ ПО ЗАЧИСТКЕ ШКУРКОЙ:**

- a) Не применяйте круг с наждачной бумагой слишком большого размера. Следуйте рекомендациям изготовителя при выборе наждачной бумаги.** *Наждачная бумага, далеко выступающая за пределы своей подложки, создает опасность разрыва и может привести к обдирке или истиранию круга, либо к отскоку назад.*

### **ПРАВИЛА ТЕХНИКИ БЕЗОПАСНОСТИ ДЛЯ АККУМУЛЯТОРНОЙ БАТАРЕИ**







- a) Не допускается разбирать, вскрывать, измельчать элементы питания и аккумуляторную батарею.**
- b) Не допускается коротко замыкать элементы питания или аккумулятор. Не допускается беспорядочно хранить элементы питания или аккумулятор в коробке или ящике, где они могут замкнуть друг друга или могут быть замкнуты другими металлическими предметами.** Если аккумуляторная батарея не используется, держите ее подальше от металлических предметов, таких как зажимы, монеты, гвозди, винты и прочие металлические предметы небольшого размера, которые могут соединить клеммы друг с другом. Короткое замыкание клемм батареи может стать причиной ожогов или пожара.
- c) Не допускается подвергать аккумуляторную батарею воздействию высоких температур или пламени. Избегайте хранения аккумуляторной батареи в местах, подверженных воздействию прямого солнечного света.**
- d) Не допускается подвергать аккумуляторную батарею механическим ударам**
- e) В случае протечки аккумуляторной батареи, не допускайте контакта электролита с кожей или глазами. В случае такого контакта необходимо промыть пораженный участок обильным количеством воды и обратиться за медицинской помощью.**
- f) В случае проглатывания элемента питания или аккумулятора необходимо незамедлительно обратиться за медицинской помощью.**
- g) Аккумуляторную батарею необходимо содержать в чистоте и сухости.**
- h) В случае загрязнения контактов аккумуляторной батареи их необходимо протереть чистой сухой тканью.**
- i) Аккумуляторную батарею необходимо заряжать перед использованием. Всегда следуйте данной инструкции и**



**используйте правильный порядок зарядки.**

- j) Не допускается оставлять аккумулятор на зарядном устройстве, если он не используется.**
- k) После продолжительного хранения может потребоваться несколько раз зарядить и разрядить аккумуляторную батарею для достижения максимальной эффективности ее работы.**
- l) Используйте только зарядные устройства, указанные Woxh. Не допускается использовать какие-либо зарядные устройства, за исключением специально предназначенных для данного оборудования.**
- m) Не допускается использовать какие-либо аккумуляторные батареи, не предназначенные для использования с данным оборудованием.**
- n) Храните аккумуляторную батарею в местах, недоступных для детей.**
- o) Следует сохранить оригинальную документацию на изделие для будущего использования.**
- p) По возможности извлекайте аккумуляторную батарею из изделия, если она не используется.**
- q) Утилизируйте аккумуляторную батарею должным образом.**
- r) Не используйте аккумуляторы сторонних производителей**
- s) Не вынимайте аккумуляторы из оригинальной упаковки, пока он не понадобится.**
- t) Соблюдайте полярность батареи, убедитесь в правильном совмещении контактов (+) и (-).**

## УСЛОВНЫЕ ОБОЗНАЧЕНИЯ

	Для сокращения риска травмы пользователь должен прочитать руководство по эксплуатации инструмента
	Предостережение
	Носите защиту органов зрения
	Носите защиту органов слуха
	Носите пылезащитную маску
	Наденьте защитные перчатки



Запрещается сжигать



При неправильной утилизации батареи могут попасть в водный цикл, что может быть опасным для экосистемы. Не выбрасывайте использованные батареи в несортированные бытовые отходы.



Li-Ion



Li-Ion

Литий-ионный аккумулятор Этот продукт был отмечен символом, связанным с «раздельным сбором» для всех батарейных блоков и батареи. Затем он утилизируется или раскреплен, чтобы уменьшить воздействие на окружающую среду. Батарейный блок могут быть вредны для окружающей среды и здоровья человека, поскольку они содержат вредные вещества.

## СПИСОК КОМПОНЕНТОВ

- 1. ВЫКЛЮЧАТЕЛЬ**
- 2. КНОПКА БЛОКИРОВКИ ШПИДЕЛЯ**
- 3. ОГРАЖДЕНИЕ КРУГА**
- 4. КРУГ**
- 5. ФЛАНЕЦ**
- 6. ВИНТ**
- 7. ШЕСТИГРАННЫЙ КЛЮЧ (M4)**
- 8. 6,4ММ АДАПТЕР ОПРАВКИ ЛЕЗВИЯ ТИПА "БАБОЧКА"**

**Не все показанные или описанные аксессуары включены в стандартную поставку.**

## ТЕХНИЧЕСКИЕ ДАННЫЕ

	WX741 WX741.X*
Напряжение	20 В --- Макс. **
Тип мотора	Бесщеточный
Номинальная скорость	14000-24000/мин
Размер диска	50 mm
	38 mm
Отверстие диска	10 mm (только для лезвий 50 мм)
	6,4 мм, тип "бабочка" с адаптером (только для лезвий 38 мм)

Резьба шпинделя	M4
Напряжение (только инструмент)	130 g

\* X=1-99,A-Z,M1-M9 используются только для разных инструментов. Безопасная соответствующая замена между данными моделями невозможна.

\*\* Напряжение измеряется без нагрузки. Начальное напряжение батареи достигает 20 вольт. Номинальное напряжение составляет 18 вольт.

## ХАРАКТЕРИСТИКИ ШУМА

Звуковое давление	$L_{pA}$ : 75.2 dB(A)
Акустическая мощность	$L_{WA}$ : 86.2 dB(A)
$K_{pA}$ & $K_{WA}$	3dB(A)

**Носите защитные наушники.**

## ХАРАКТЕРИСТИКИ ВИБРАЦИИ

Суммарные значения вибрации, определенные согласно EN60745

Поверхностная шлифовка или абразивная обрезка	Уровень вибрации $a_{hAG} = 2.931 \text{ m/s}^2$
	Погрешность $K = 1.5 \text{ m/s}^2$
Круг зачистки шкуркой	Уровень вибрации $a_{hDS} = 3.116 \text{ m/s}^2$
	Погрешность $K = 1.5 \text{ m/s}^2$

RU

27

Заявленная общая величина вибрации может использоваться для сравнения одного инструмента с другим, а также может быть использована для предварительной оценки воздействия.



**ВНИМАНИЕ:** вибрация, производимая при работе механизированного инструмента, может отличаться от заявленных значений в зависимости от способов использования устройства. Ниже перечислены некоторые условия, от которых зависит интенсивность вибрации:

Способ использования инструмента и материалы для сверления.  
Состояние инструмента и уровень техобслуживания  
Тип используемых принадлежностей и их техническое состояние.  
Сила удержания рукояток и наличие противовибрационных средств.  
Используемые рабочие инструменты, соответствие применения инструментов их назначению.

## При неправильном обращении данное устройство может стать причиной синдрома дрожания рук



**ВНИМАНИЕ:** для точной оценки воздействия вибрации во время эксплуатации необходимо также учитывать все этапы рабочего процесса, включая время, когда устройство выключено или включено, но бездействует. Эти перерывы значительно снижают общее влияние вибрации в ходе всего рабочего цикла.

Следующие рекомендации помогут снизить опасность воздействия вибрации при работе.

ВСЕГДА пользуйтесь только острыми инструментами (резцами, сверлами, пилами и т.д.)

Проводите техобслуживание в соответствии с указаниями, тщательно смазывайте устройство в соответствующих местах

Если устройство используется регулярно, приобретите противовибрационные средства.

Распределите задачи так, чтобы работы, сопровождающиеся высоким уровнем вибрации, проводились через большие промежутки времени.

Категория	Модель	Емкость
20 В, Hub/HubX	WA7160	Вход: 20 V  10 A Макс. Выход: 20 V  10 A Макс.
	WA7161	Вход: 20 V  10 A Макс. Выход: 20 V  10 A Макс. или выход: 5 V  2 A (Порт USB)

Мы рекомендуем Вам приобрести диски в том же магазине, в котором вы приобрели инструмент. Подробную информацию можно найти на упаковке диска. Персонал магазина может помочь вам и дать совет.

Серия инструментов MakerX и Hub/HubX на 20 В специально разработаны для совместной работы, поэтому не пытайтесь применять любые другие устройства.

## ИНСТРУКЦИИ ПО ЭКСПЛУАТАЦИИ



**ПРИМЕЧАНИЕ:** Перед использованием инструмента внимательно прочитайте инструкцию.

## ПРЕДУСМОТРЕННОЕ ИСПОЛЬЗОВАНИЕ

Прибор предназначен для резки, обдирки и чистки металла или камня без применения воды. При резке металла должно применяться специальное защитное ограждение (принадлежность).

## СБОРКА

1. Установите ограждение, при необходимости. (см. рис. А1)

Нажмите и удерживайте кнопку блокировки шпинделя, соберите круг и фланец, затем затяните шестигранным ключом. (см. рис. А2)

**ПРИМЕЧАНИЕ:** Всегда проверяйте надежность фиксации заготовки, чтобы предотвратить ее смещение. Угловая шлифовка возможна с оправкой типа “бабочка”, например кругами EZ-Lock® от Dremel®. Dremel и EZ-Lock – это торговые марки корпорации Robert Bosch Tool Corporation. (см. рис. А3)

2. Подключите углошлифовальный инструмент к центральному блоку. (см. рис. В)



**ВНИМАНИЕ:** перед началом работы проверьте, что кнопка управления скоростью на центральном блоке находится в положении “Min (минимум)” (см. рис. С)

## РАБОТА

1. Проверьте, что кнопка управления скоростью установлена в “Min (минимум)”. Возьмите прибор за ручку. Нажмите переключатели включения/выключения на центральном блоке, затем на углошлифовальном инструменте для запуска прибора. (см. рис. D)

**ОСТОРОЖНО:** Не применяйте поврежденные или изношенные приспособления. Убедитесь, что прибор в хорошем состоянии.

**ПРИМЕЧАНИЕ:** Всегда запускайте прибор без нагрузки для достижения максимальной скорости, после чего начинайте работу. Не прилагайте избыточное давление! Корректная и равномерная скорость обеспечит наилучшую производительность.

2. Настройте скорость, как необходимо (см. рис. Е)

**ПРИМЕЧАНИЕ:** После завершения работы нажмите переключатели включения/выключения на центральном блоке и углошлифовальном инструменте для выключения прибора, затем отключите инструмент от центрального блока. После завершения работы, для обеспечения безопасности, отключите от центрального блока и переведите кнопку управления скоростью в положение “Min (минимум)”.

3. Замените круг. (см. рис. F)

Нажмите и удерживайте кнопку блокировки шпинделя, используйте шестигранный ключ для ослабления.

**ПРИМЕЧАНИЕ:** Перед заменой принадлежности (насадки) убедитесь, что прибор выключен и отключен от центрального блока.

**ПРИМЕЧАНИЕ:** 2 запасных винта для ограждения и 1 запасной фланец лезвия входят в комплект поставки инструмента на случай потери основных деталей.



**ПРЕДОСТЕРЕЖЕНИЕ!:** Не применяйте отрезной круг для обдирки.

## ТЕХНИЧЕСКОЕ ОБСЛУЖИВАНИЕ

**До выполнения любых работ по регулировке, обслуживанию и уходу следует извлечь аккумуляторную батарею.**

В данном инструменте отсутствуют детали, подлежащие обслуживанию пользователем. Никогда не используйте воду или химические чистящие средства для очистки вашего электроинструмента. Протирайте его сухой тканью. Всегда храните электроинструмент в сухом месте. Содержите в чистоте вентиляционные отверстия двигателя. Не допускайте попадания пыли на все рабочие органы управления. Иногда через вентиляционные отверстия можно увидеть искры. Это нормально и повредит ваш электроинструмент. Store the accessories in a dry place.

## **ХРАНА ОКРУЖАЮЩЕЙ СРЕДЫ**



### **Переработка отходов**

Машина, ее аксессуары и упаковочные материалы должны быть отсортированы для экологически чистой переработки.

Пластиковые компоненты имеют маркировку для вторичной переработки.

---

**СТРАНА    ТЕЛЕФОН ТЕХПОДДЕРЖКИ**

**АВТОРИЗОВАННЫЙ СЕРВИСНЫЙ ЦЕНТР**

Россия    7 (495) 136-83-96    Российская Федерация, 117342, г. Москва, ул. Бутлерова, д. 17, этаж 3 ком 67



---

# ЕАС

Импортер: ООО «ПОЗИТЕК- ЕВРАЗИЯ»

Адрес: Российская Федерация, 117342, г. Москва, ул. Бутлерова, д. 17, этаж 3 ком 67

Страна производства: КНР

Изготовитель: Позитек Технолоджи (КНР) Ко. Лтд.

Адрес: Донгванг Роуд, 18, Сучжоу Индастриал Парк, Цзянсу, КНР

Срок службы изделия: 6 лет

Срок гарантии: 2 года

Дата производства изделия: указана на изделии

Телефон сервисной службы ООО «ПОЗИТЕК- ЕВРАЗИЯ»: 7 (495) 136-83-96

Электронная почта [service.ru@positecgroup.com](mailto:service.ru@positecgroup.com)

  
**you've got the power**

**[www.worx.com](http://www.worx.com)**

Copyright © 2020, Positec. All Rights Reserved.

AR01563400